



Patent Pending

SIDE FRAME COLUMN WEAR PLATE

Features:

- Non-loosening/vibration resistant nut.
- TC bolt guarantees minimum clamp load is achieved every time (28,000 lbs).*
- Flat head bolt remains flush with wear plate.
- Simple, one-man installation.
- Easy visual inspection.

* As per AAR Manual of Standards and Recommended Practices, Section D S-3003



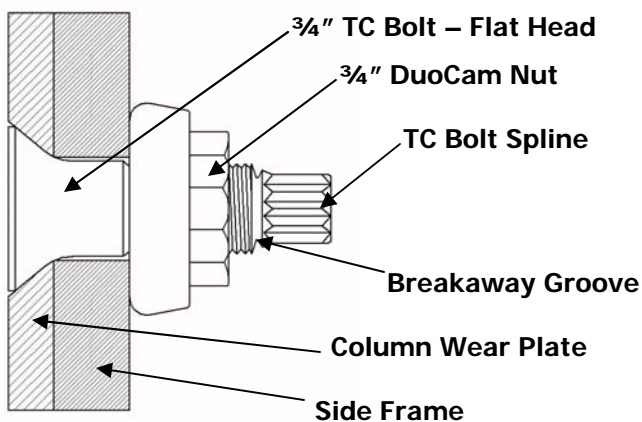
Description:

DuoCam Nut

- › 3/4" Nominal Thread Diameter
- › Grade 8 Steel (DIN Class 10)

Tension Control Bolt

- › 3/4" Nominal Thread Diameter
- › ASTM Steel Grade A325 & A490
- › Spline shears-off at designed tension.

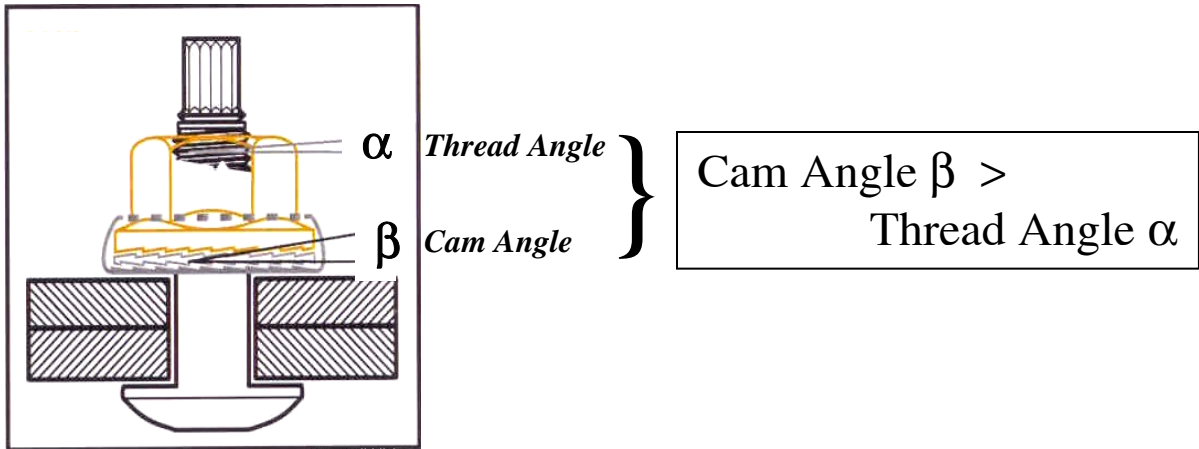


Part Number	Description
DC3410-2A	3/4"-10 DuoCam Nut
TC3410F-02	3/4" x 2-1/4" TC Bolt, Countersunk, Min 28,000lb clamp (A325)
TC3410F-04	3/4" x 2-1/4" TC Bolt, Countersunk, Min 35,000lb clamp (A490)

How DuoCam Works:

DC02

Once installed, the DuoCam nut will not loosen. Cam angle is greater than Thread Pitch Angle, and as a result the relationship between the two angles produce a wedge action which prevents loosening. Therefore, due to the difference of these angles, the nut is automatically locked.

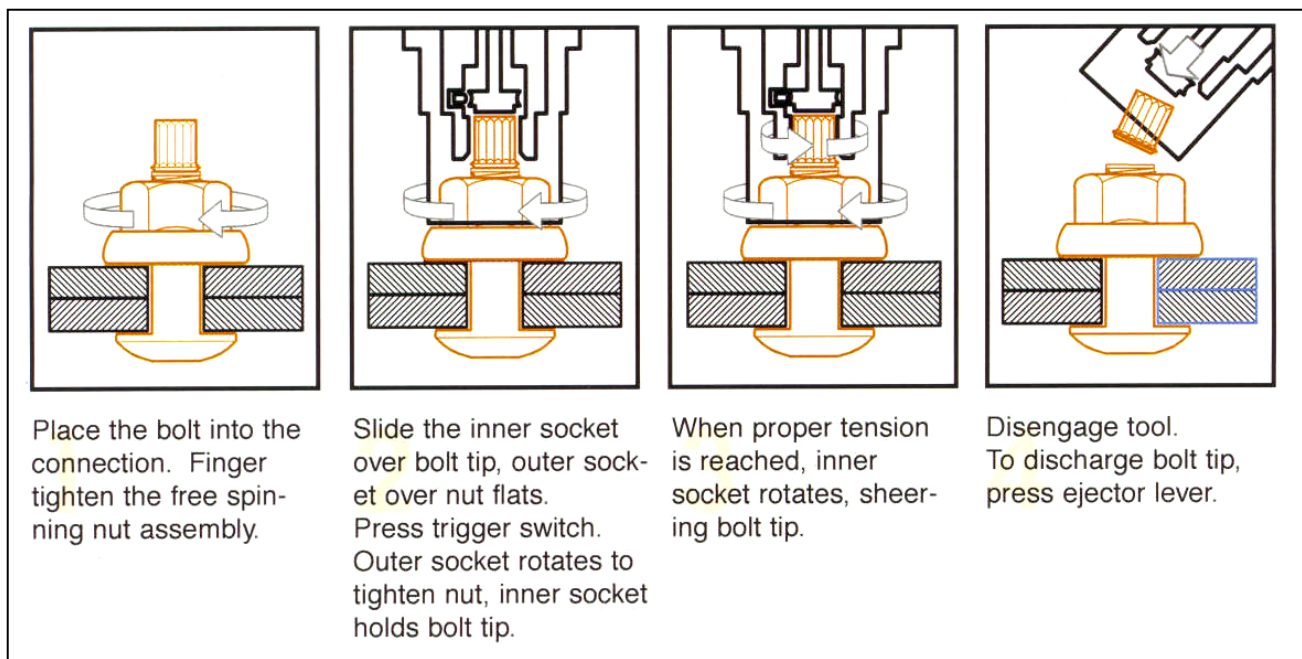


Installation:



MC221 Shear Wrench

- Heavy duty, electric wrench
- Light weight (only 11.7 lbs).
- Offset to accommodate side frame pocket.
- No calibration required.
- Little tool maintenance required.
- Shears off bolt spline at designed tension.
- Includes DuoCam socket (special design).



For more information, contact Ronsco Inc. Tel: (514) 866-1033