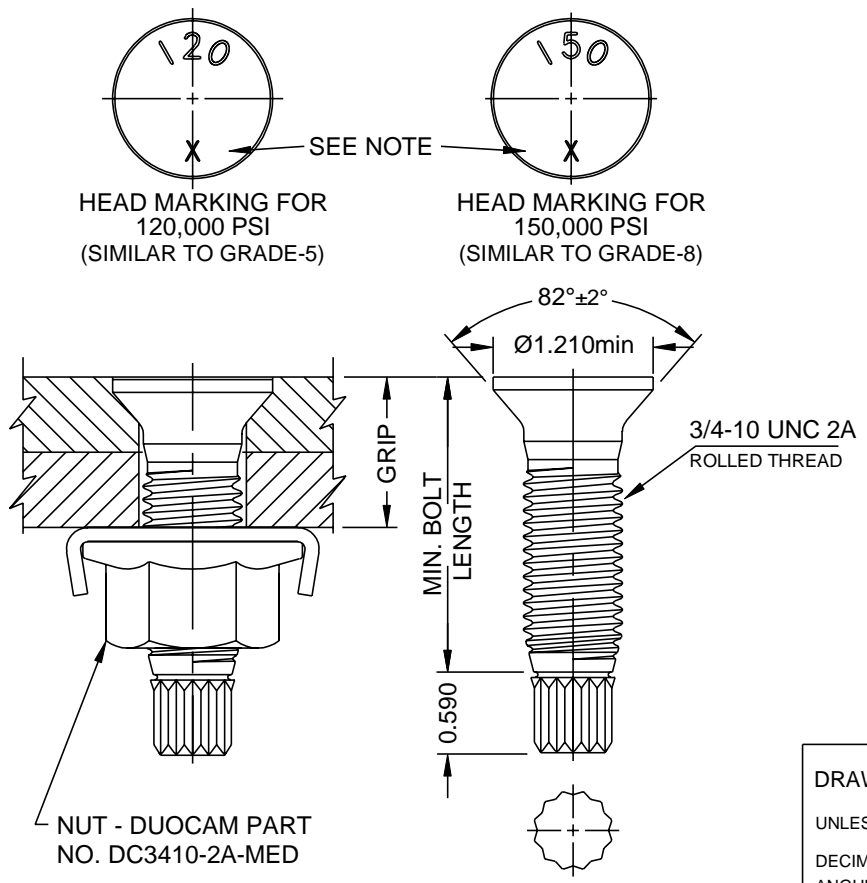


| ITEM NO | PART NO     | GRADE | MAX.GRIP | BOLT LENGTH |
|---------|-------------|-------|----------|-------------|
| 1       | TC3410F-01  | 120   | 1 7/16   | 2 3/8       |
| 2       | TC3410F-02  | 120   | 1 5/16   | 2 1/4       |
| 3       | TC3410F-01A | 150   | 1 7/16   | 2 3/8       |
| 4       | TC3410F-02A | 150   | 1 5/16   | 2 1/4       |



NOTES:  
 STEEL GRADE:120,000 or 150,000 (ADD A TO PART NO. FOR 150,000 GRADE) - SEE TABLES  
 FINISH: PLAIN  
 GRIP CALCULATED USING DUOCAM NUT DC3410-2A-MED  
 MIN. CLAMPING FORCE - MATL GRADE 120 - 28,000 LB.  
 MIN. CLAMPING FORCE - MATL GRADE 150 - 35,000 LB.  
 USE SHEAR WRENCH WITH 3/4 SOCKETS FOR INSTALLATION  
 BREAK-OFF TORQUE VALUES (APPROXIMATE):  
 GRADE 120 BOLT - 350 FT-LB.  
 GRADE 150 BOLT - 440 FT LB.  
 "X" MANUFACTURERS SYMBOL TO BE LOCATED HERE. ALL HEAD MARKINGS MUST BE RECESSED INTO BOLT HEAD.

| REV | DESCRIPTION   | BY                      | DATE | APPD |
|-----|---|-------------------------|------|------|
|     | DRAWING TOLERANCES  |                         |      |      |
|     | UNLESS OTHERWISE SPECIFIED  |                         |      |      |
|     | DECIMAL DIMENSIONS: ± .06   |                         |      |      |
|     | ANGULAR DIMENSIONS ± 1°   |                         |      |      |
|     | ALL DIMENSIONS ARE IN INCHES  |                         |      |      |
|     | THIS PRINT IS THE PROPERTY OF RONSCO INC. UNAUTHORIZED REPRODUCTION IS STRICTLY PROHIBITED. DRAWING MUST BE RETURNED ON REQUEST   |                         |      |      |
|     | <p>DRAWN <i>W.R.DAVIS</i> DATE <i>.05.04.25</i> .DSG.APPD..... DATE.....</p> <p>CHKD..... DATE..... APPROVED <i>G.BARLOW</i> DATE <i>.05.04.27</i>.</p> <p style="text-align: center;"><b>DUOCAM</b> INC.</p> <p style="text-align: center;"><b>TENSION CONTROL BOLT</b></p> <p style="text-align: center;"><b>CSK 3/4 - 10 UNC</b></p> |                         |      |      |
|     | SIZE <b>A</b>   | DWG NO. <b>TC 3410F</b> |      | REV  |