

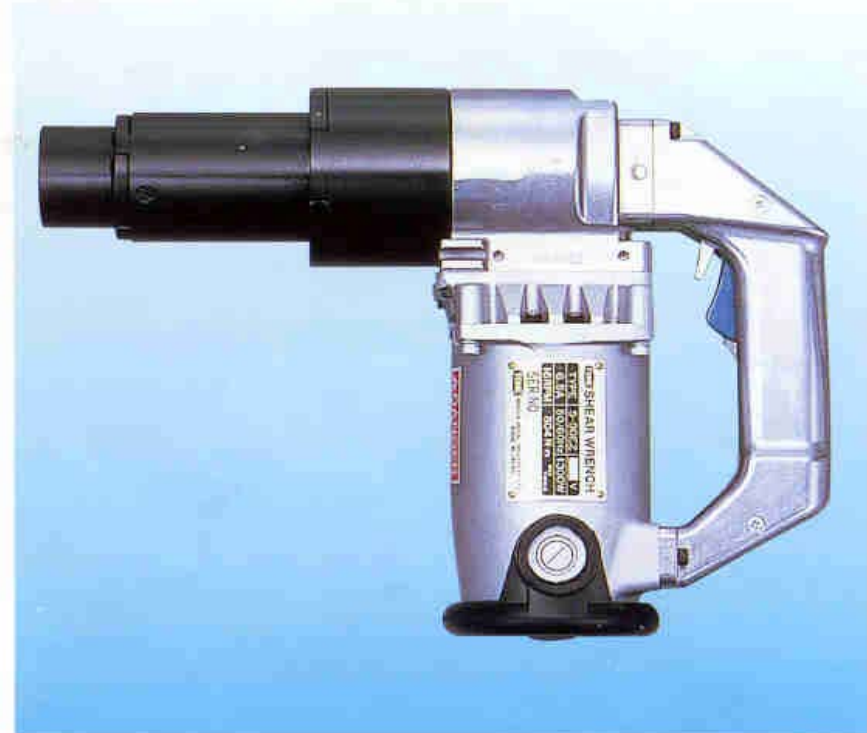
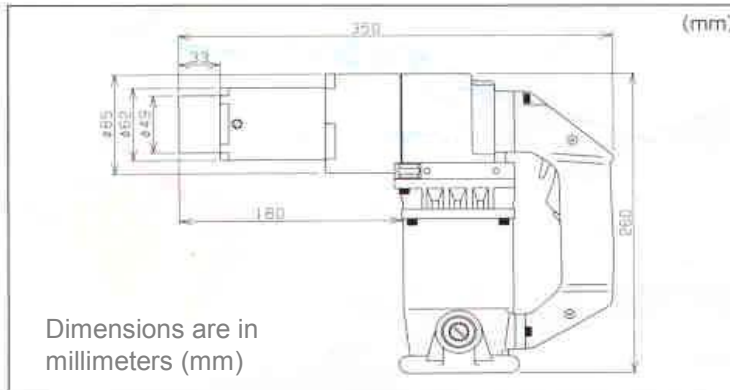
S-90EZ

Heavy Duty Shear Wrench

[SPECIFICATIONS]

Model	S-90EZ	
Voltage	115V	220V
Max. Current	12.0A	6.5A
Max. Power Consumption	1200W	1300W
Frequency	50 / 60Hz	
Max. Torque	804 N·m(595 lbf·ft)	
No-Load Speed	15rpm	16rpm
Weight	7.6kg(16.7 lb)	

External Dimensions



Adaptable BOLT DIA.

M16. M20. M22

3/4", 7/8" (1" A325 only)

* Special DuoCam socket is incl.

ACCESSORIES

Inner Socket 1pc.

Outer Socket 1pc.

Screw Driver 1pc.

Metal Case 1pc.

For more information, please contact Ronsco Inc. Tel: (514) 866-1033



1440 Saint Catherine St West, Suite 712
Montreal, Quebec H3G 1R8
Tel: (514) 866-1033, Fax: (514) 866-8421