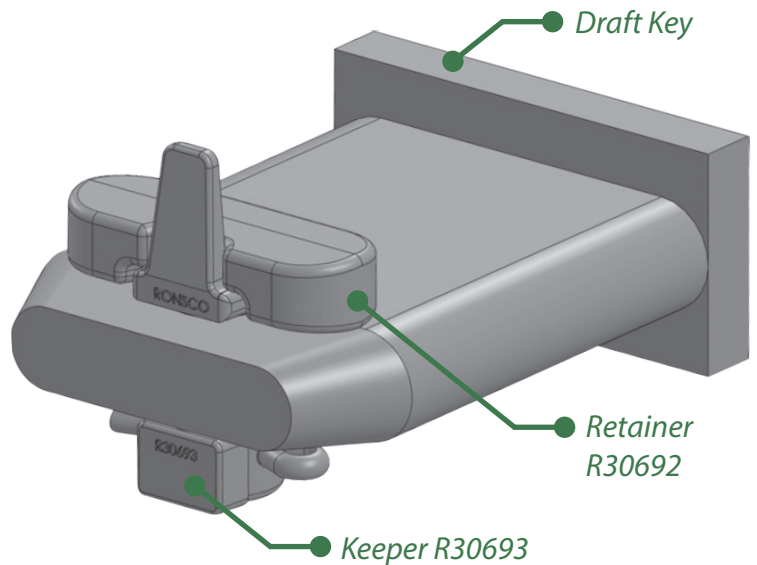


Draft Key Retainer and Keeper



AAR APPROVED

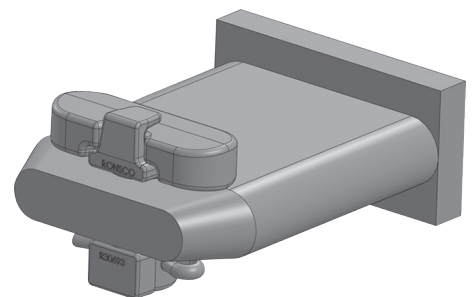
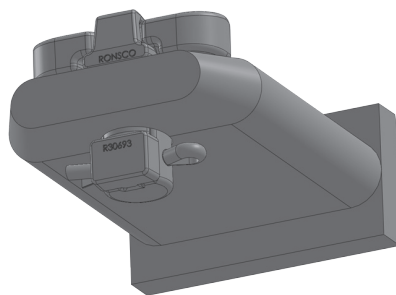
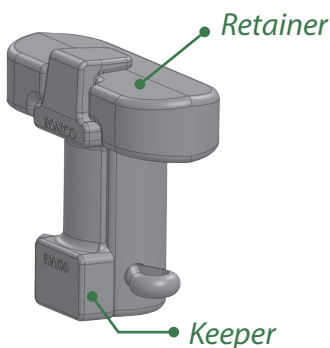
Forged steel, manufactured in accordance with AAR S-121 standards



- Keeper tab is to be bent over Retainer locking components in place.
- Widely considered the easiest and most effective draft key retainer application.
- Most commonly used industry wide.



Retainer Weight = 2.6 lbs
Keeper weight = 0.4 lbs



Ronsco Part Number	Description	Replaces alternate parts
R30692	Retainer, Draft Key (used with R30693 Keeper)	692, 57308014, UF100002
R30693	Keeper, Draft Key (used with R30692 Retainer)	693, 50094157, UF100002A