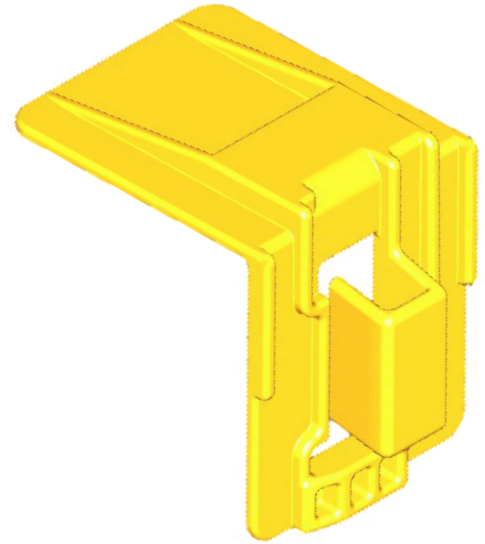
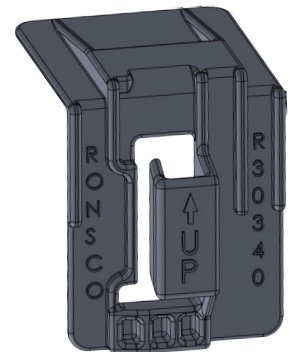
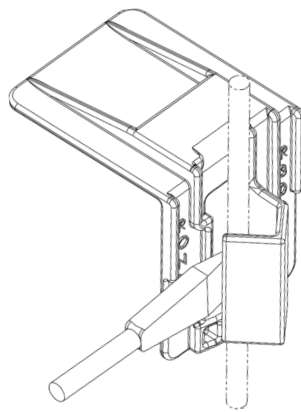
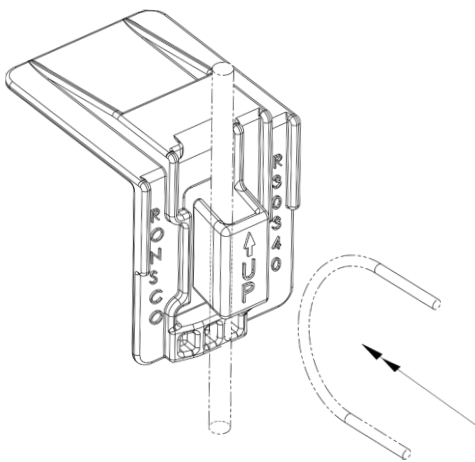


CENTERBEAM Edge Protector



- For use as load securement on centerbeam cars
- Used in conjunction with 3/8" tie down cables (galvanized aircraft cables)
- Protects cargo from damage at corners and cables
- Tab retains protector on loose cables when cars travel empty
- Made of specially crafted weather and abrasion resistant plastic
- Billable under AAR Field Manual Rule 64, Job Code 4930



Ronsco Part Number	Description	Replaces alternate parts
R30340	Corner Protector, Black Plastic, Job Code 4930	30340, PN1466