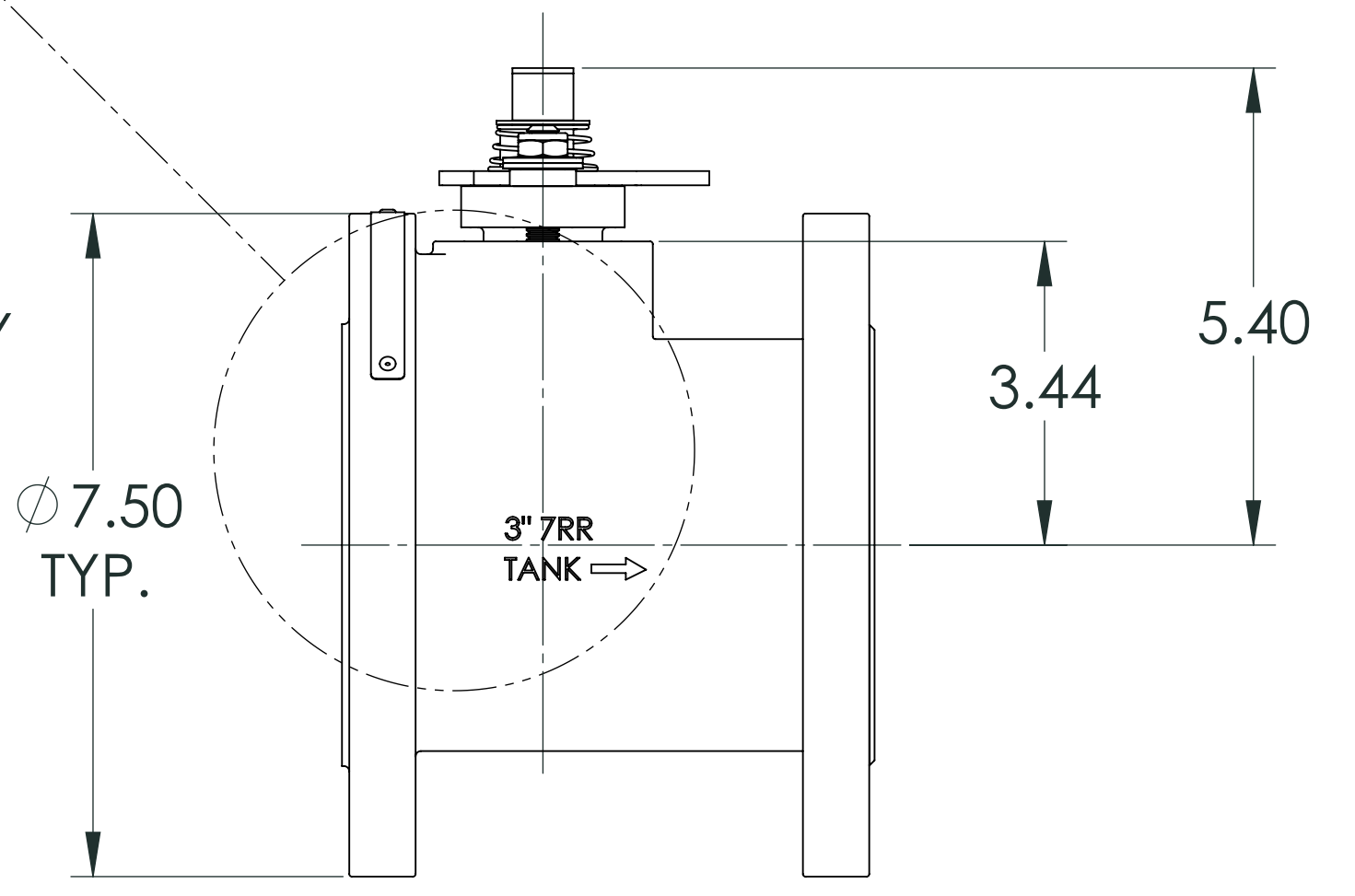
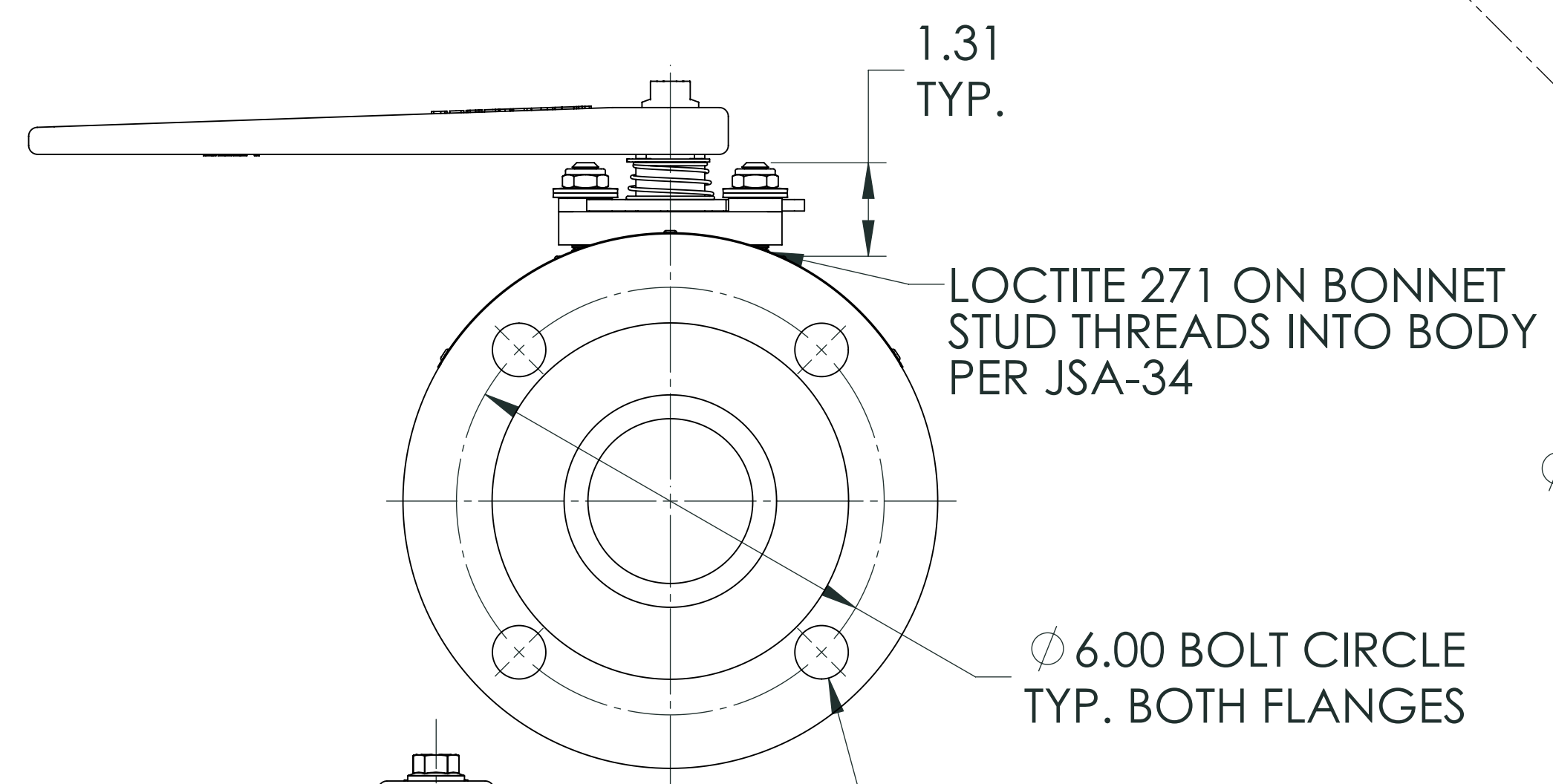
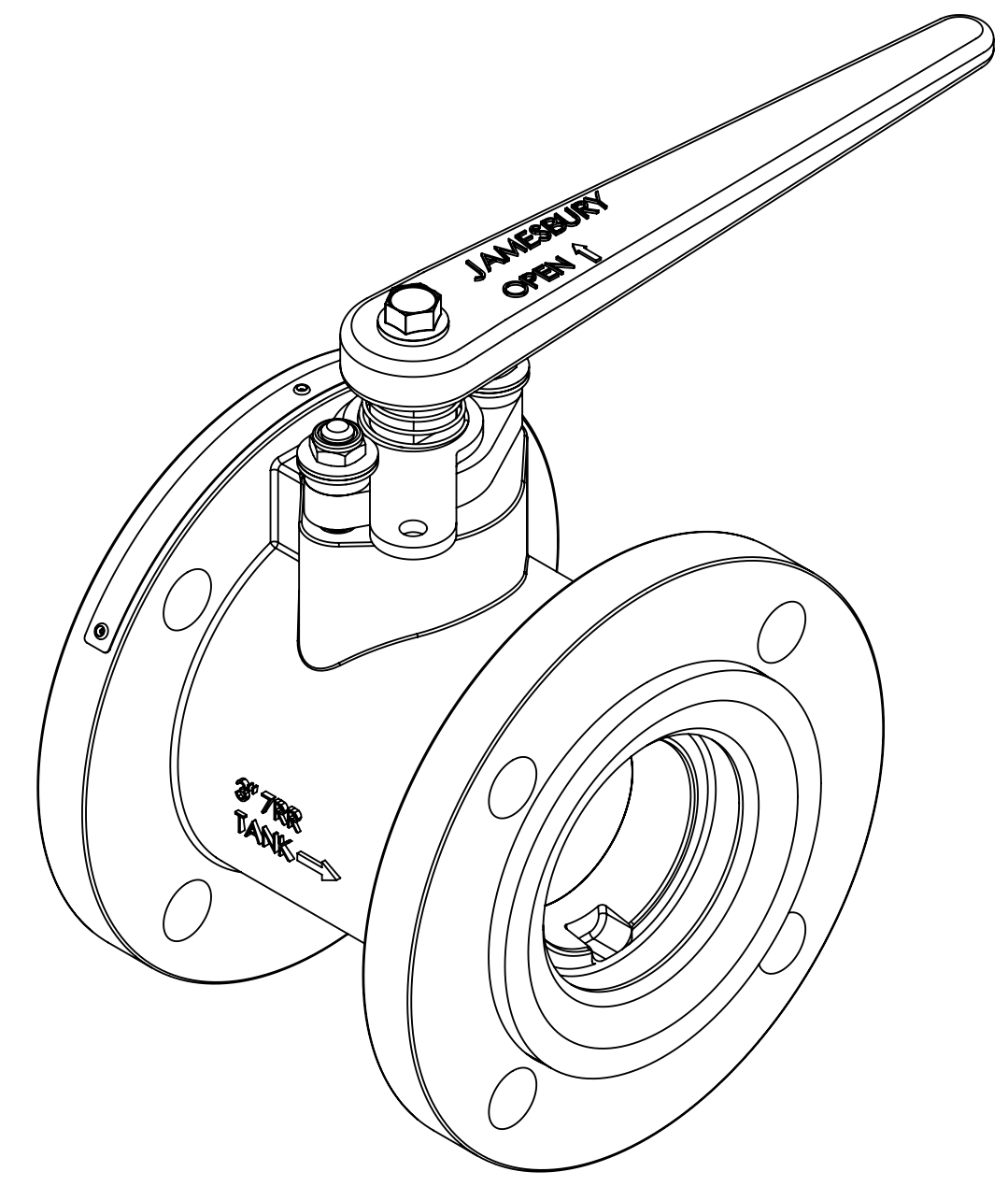
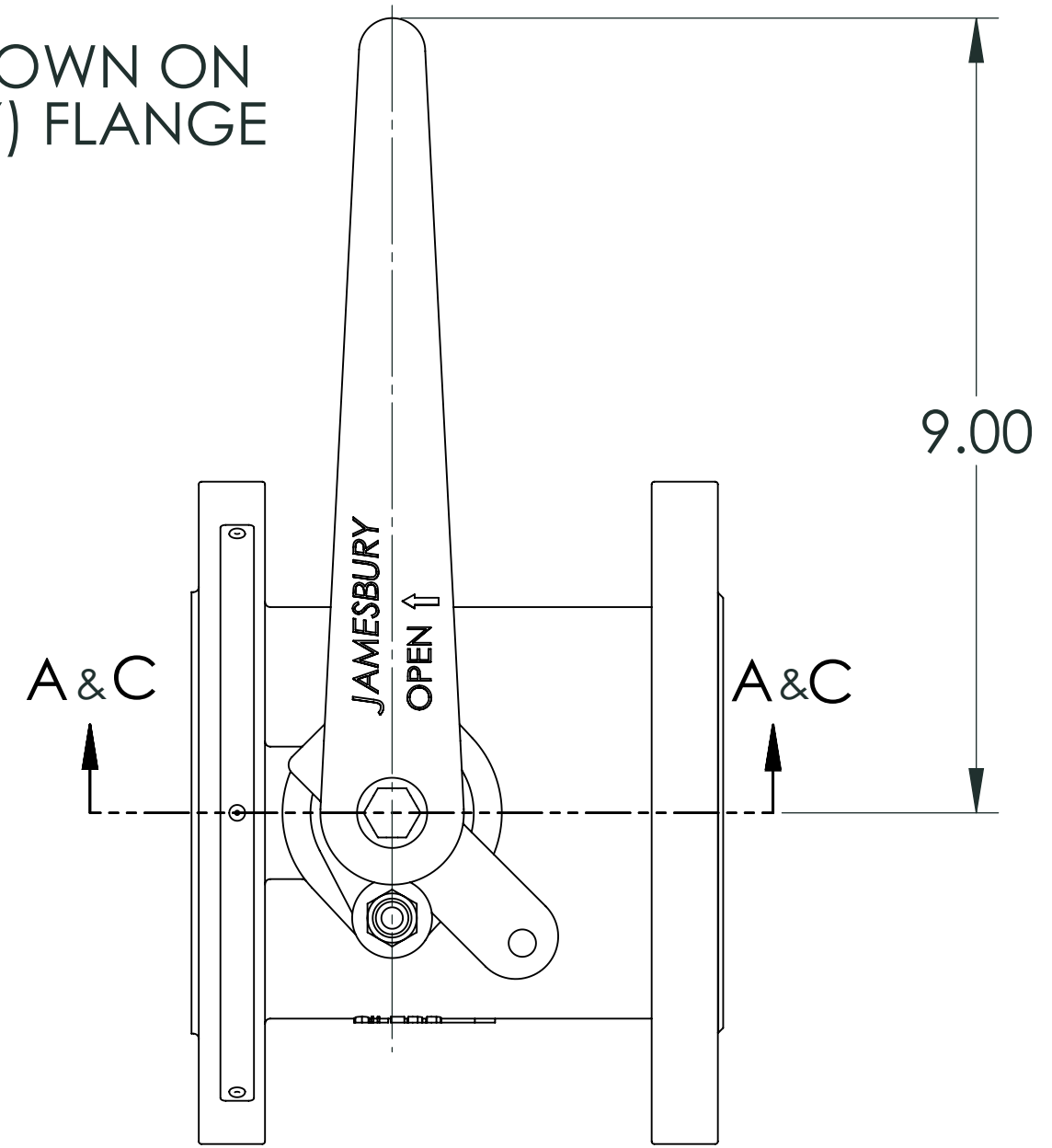
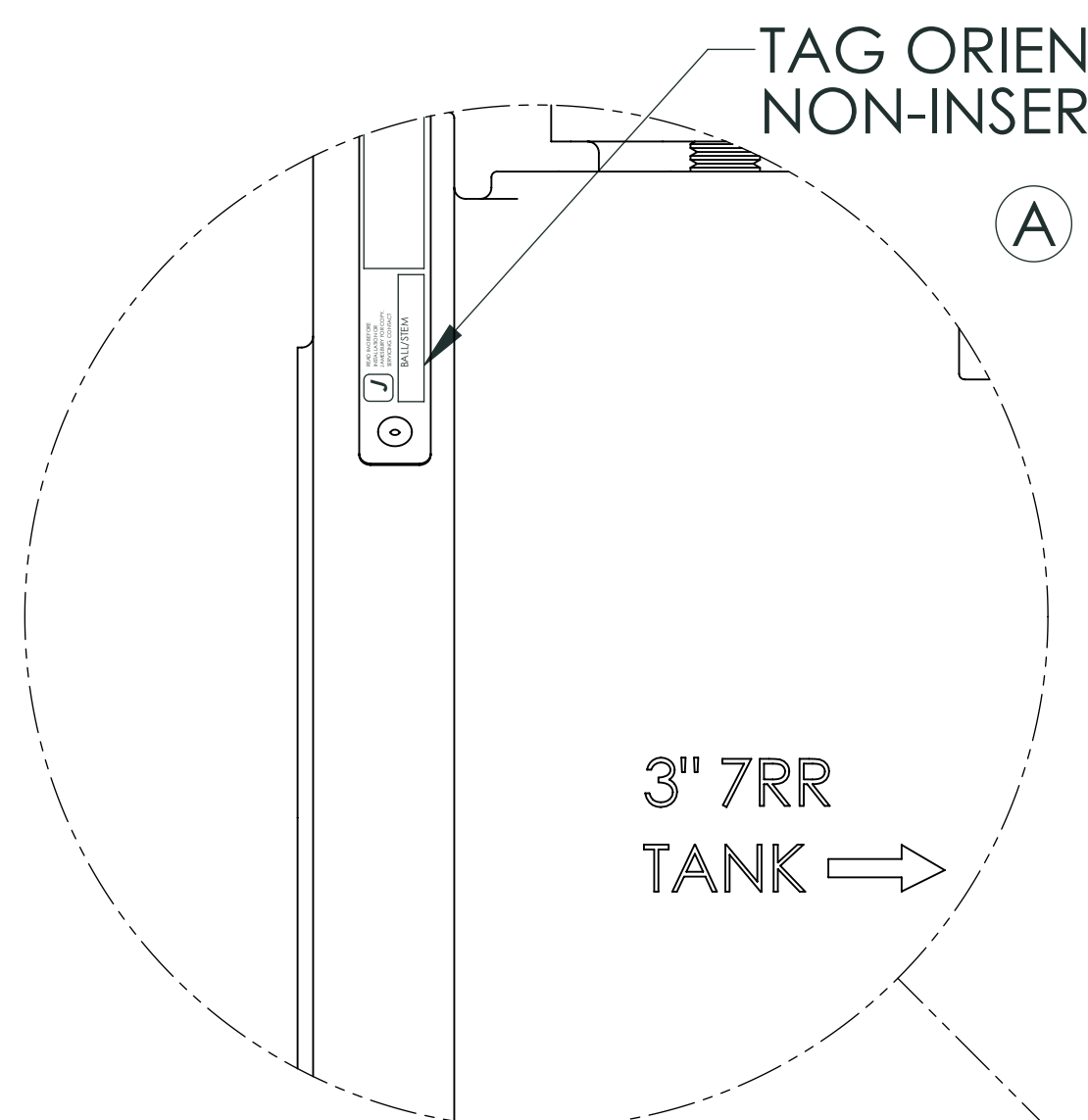
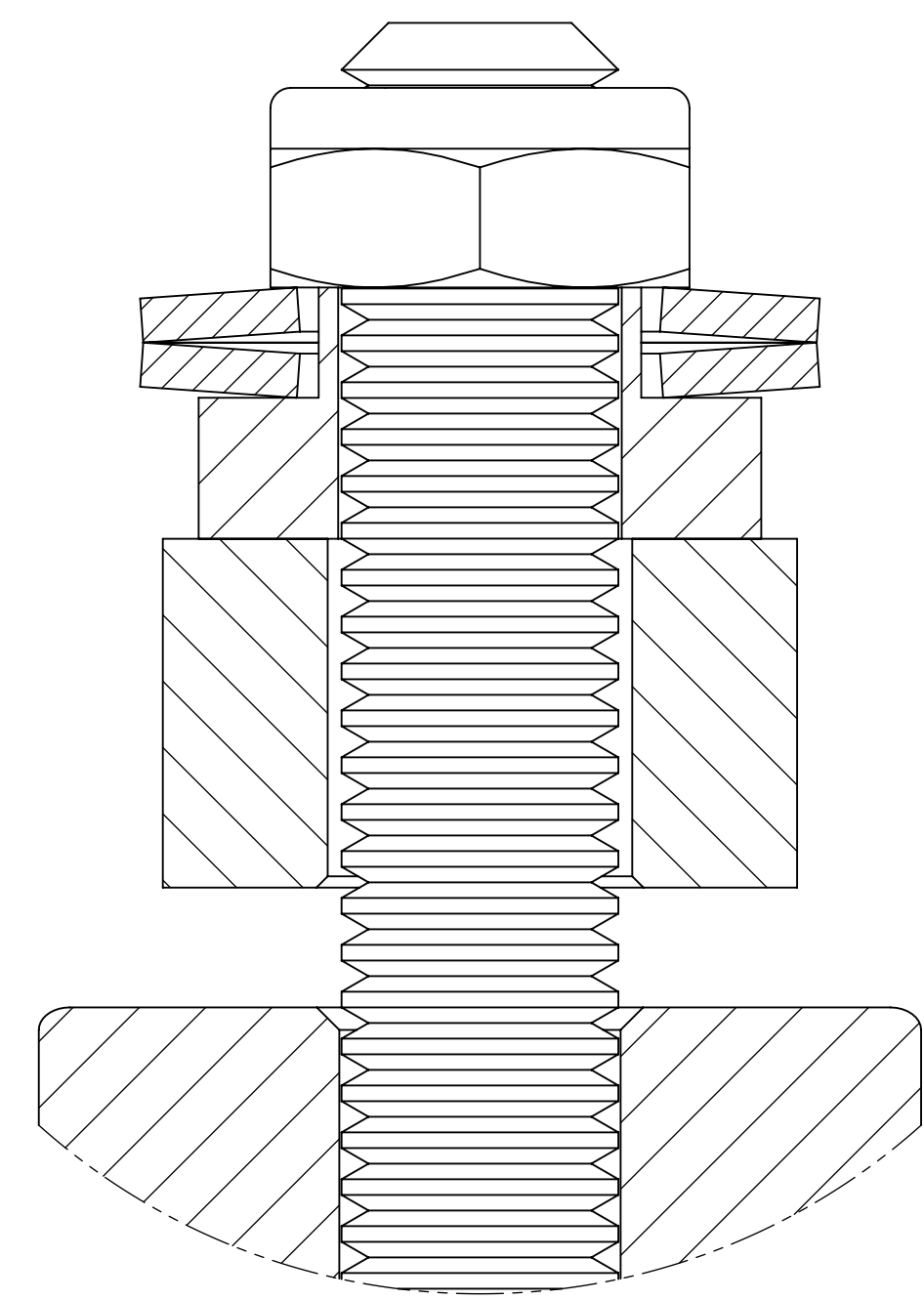
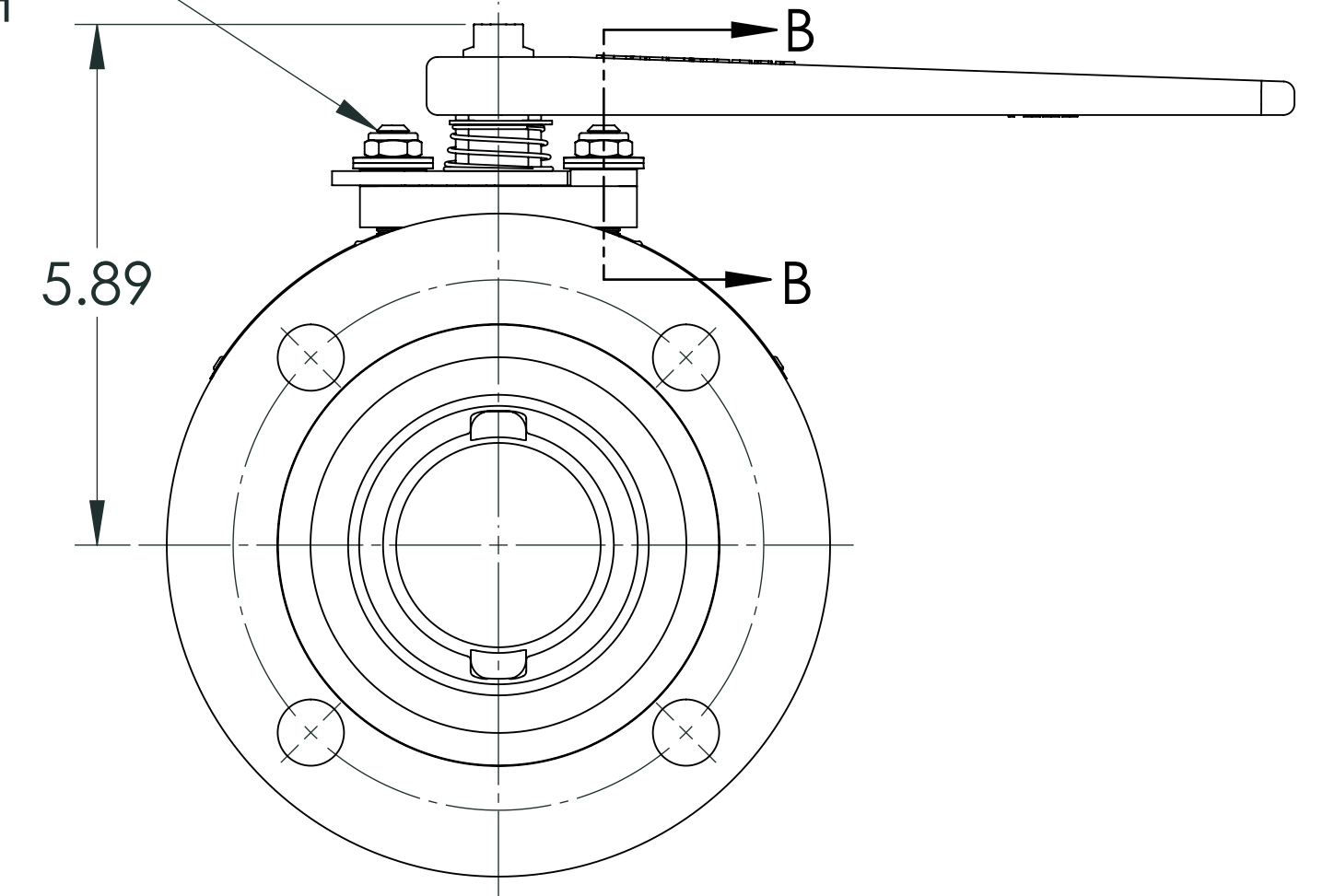


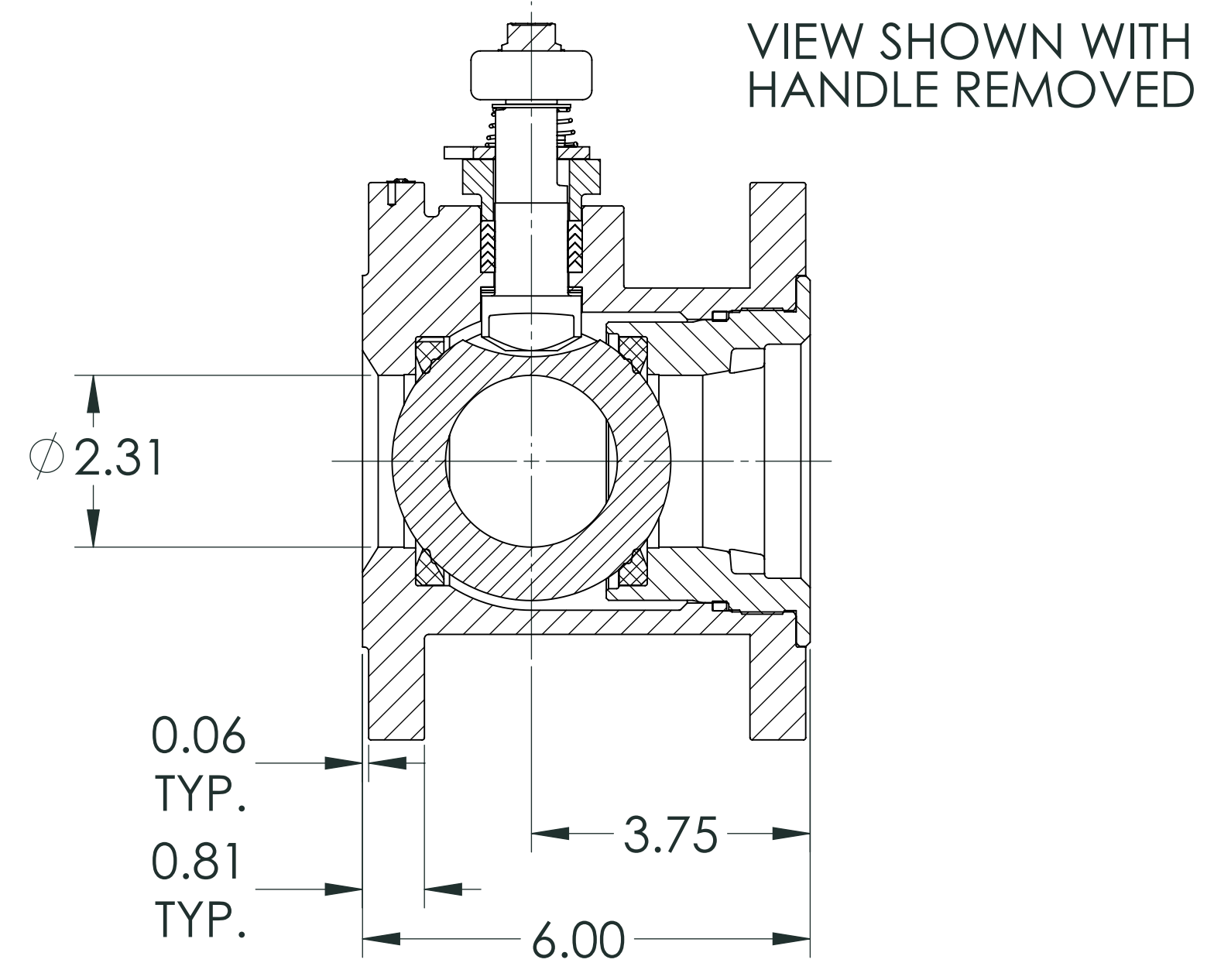
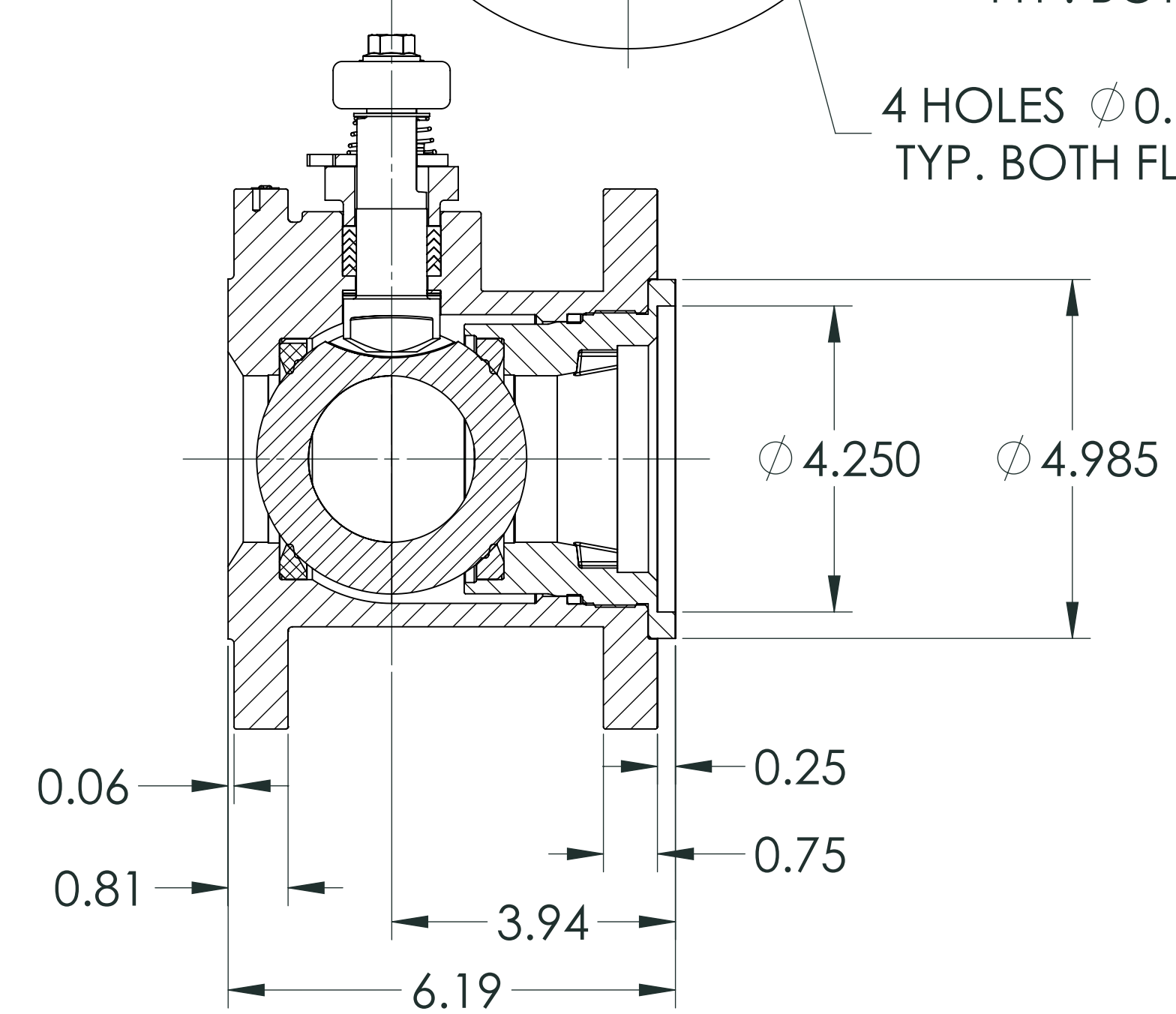
LET	ECN	REVISION	DRAWN	APPROVED	DATE
A	20502	ADDED DETAIL VIEW FOR TAG	PJD	KAS	7/22/10



WHERE IDENTIFICATION APPEARS ON NUT OR STUD FACE ASSEMBLE WITH IDENTIFICATION ALWAYS VISIBLE



- NOTES:
- TAG ATTACHMENT PER JMA-98.
 - FOR INSTALLATION, MAINTENANCE AND OPERATING INSTRUCTIONS SEE IMO-R22.

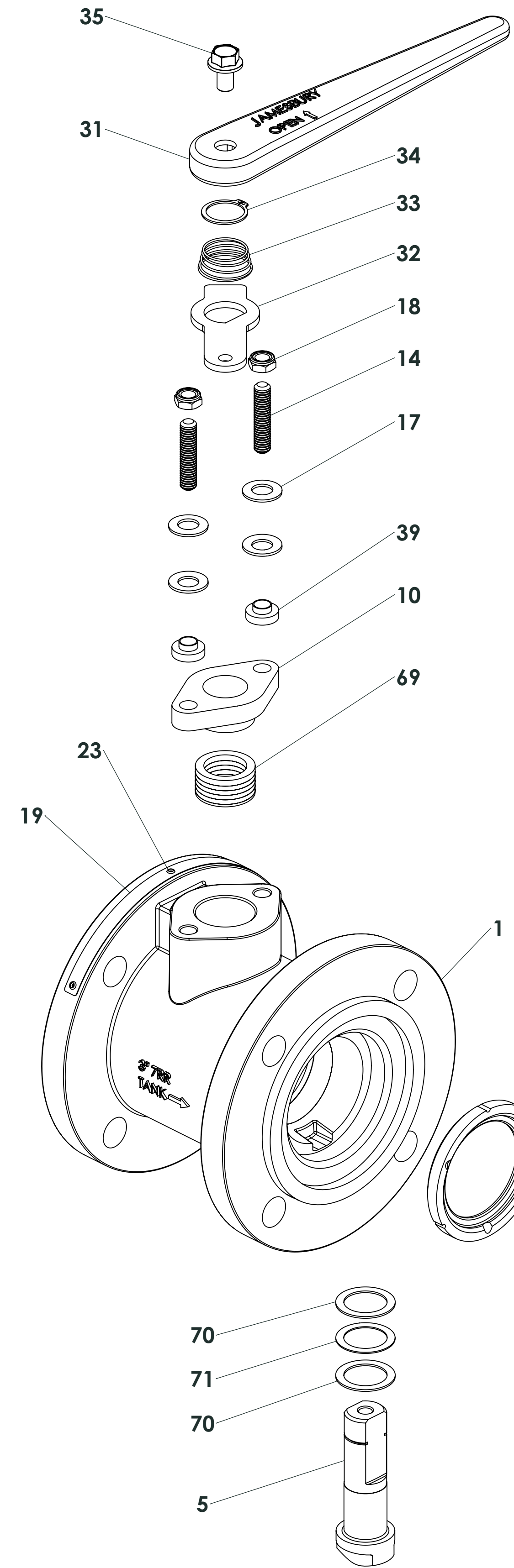


SECTION C-C
SECTION SHOWN WITH 7RRR INSERT

SECTION A-A
SECTION SHOWN WITH 7RRR INSERT

<small>THIS DRAWING AND ALL INFORMATION CONTAINED HEREIN ARE THE PROPERTY OF METSO AUTOMATION USA, INC. AND ARE NOT TO BE USED EXCEPT AS AUTHORIZED BY METSO AUTOMATION USA, INC.</small> <small>UNLESS OTHERWISE NOTED DIMENSIONING, TOLERANCING, & DRAWING INTERPRETATION IS IN ACCORDANCE WITH ASME Y14.5M</small> <small>ANGLES = +5° FINISH REMOVE SHARP EDGES AND CORNERS TO .02 - .03 RADIUS OR CHAMFER, DIMENSIONS IN INCHES.</small>	MATERIAL CODE	MATERIAL TYPE	MATERIAL SPECIFICATIONS	IDENT. MARK
	JSA-01		DO NOT SCALE DRAWING	SCALE 1:2
	JSA-10			DRAWN DATE
	JSA-17			PJD 5/20/08
JSA-34			APPVD. DATE	
JST-02			DRE 5/27/08	
<small>REMOVE SHARP EDGES AND CORNERS TO .02 - .03 RADIUS OR CHAMFER, DIMENSIONS IN INCHES.</small>			METSO AUTOMATION USA, INC. <small>SHREWSBURY, MASSACHUSETTS</small>	SIZE DWG NO. 5484 REV A

LET	ECN	REVISION	DRAWN	APPROVED	DATE
A	20502	See Sheet1	-	-	-



ITEM NO.	DESCRIPTION	QTY.
1	BODY	1
2	INSERT	1
3	BALL	1
5	STEM	1
7	SEAT	2
10	COMPRESSION PLATE	1
14	BONNET STUD	2
17	DISC SPRING	4
18	BONNET STUD NUT	2
19	IDENTIFICATION TAG	1
23	POP RIVET	3
31	HANDLE	1
32	INDICATOR STOP	1
33	SPRING	1
34	RETAINING RING	1
35	HANDLE SCREW	1
39	STOP BUSHING	2
65	BODY SEAL	1
69	PACKING/V RING SET	1
70	STEM BEARING	2
71	SECONDARY STEM SEAL	1

<small>THIS DRAWING AND ALL INFORMATION CONTAINED HEREIN ARE THE PROPERTY OF METSO AUTOMATION USA, INC. AND ARE NOT TO BE USED EXCEPT AS AUTHORIZED BY METSO AUTOMATION USA, INC.</small> <small>UNLESS OTHERWISE NOTED DIMENSIONING, TOLERANCING, & DRAWING INTERPRETATION IS IN ACCORDANCE WITH ASME Y14.5M</small> <small>ANGLES = +5° FINISH $\sqrt{250}$</small> <small>REMOVE SHARP EDGES AND CORNERS TO .02 - .03 RADIUS OR CHAMFER, DIMENSIONS IN INCHES.</small>	<small>MATERIAL CODE</small> <small>MATERIAL TYPE</small> <small>MATERIAL SPECIFICATIONS</small> <small>IDENT MARK</small>	<small>MAKE FROM PART NO.</small> <small>DO NOT SCALE DRAWING</small> <small>SCALE</small> <small>1:2</small>	<small>TITLE:</small> ASSEMBLY 3" 7RRR & 7RRT TOP LOADING STANDARD PORT BALL VALVE	<small>DRAWN</small> <small>DATE</small> <small>PJD 5/20/08</small>	<small>APPVD.</small> <small>DATE</small> <small>DRE 5/27/08</small>
	<small>SIZE</small> <small>DWG NO.</small> D 5484	<small>REV</small> <small>A</small>			

METSO AUTOMATION USA, INC.
SHREWSBURY, MASSACHUSETTS